

INSTRUCTION SHEET

A3P oil-tight push-pull operator

⚠ WARNING

Hazardous voltage. Can cause death, serious personal injury or property damage.

To avoid electrical shock, turn off electrical power to controls before performing installation or maintenance.

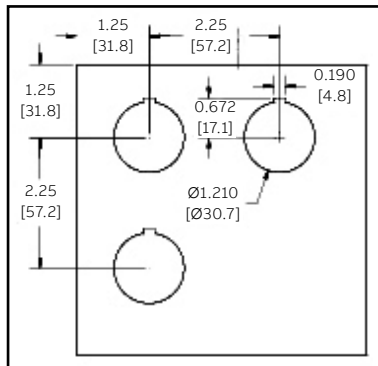
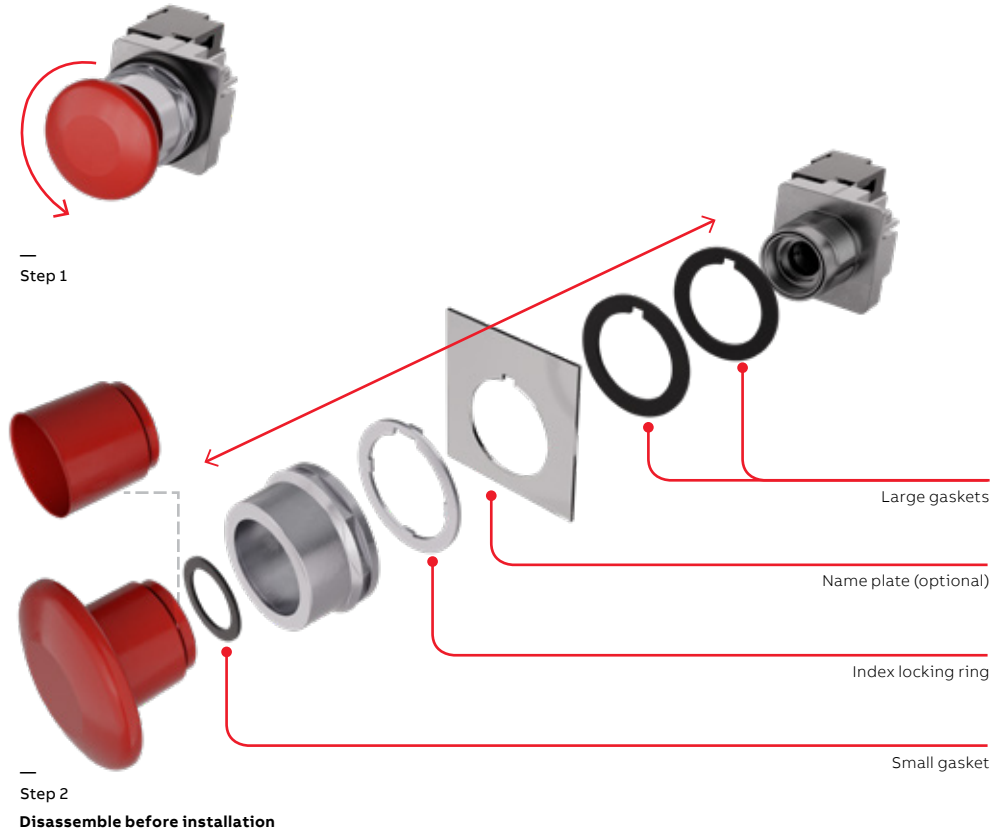
For replacement parts information or an application guide, visit our website at abb.com/low-voltage or contact your ABB representative.

For more information on optional mounting kits, name plates and other accessories, visit abb.com/low-voltage.

Cat. no.
 A3PP4__
 A3PP6__
 A3PPM__
 A3PT4R__
 A3PB4__
 A3PB6__
 A3PBE__
 A3PBF__

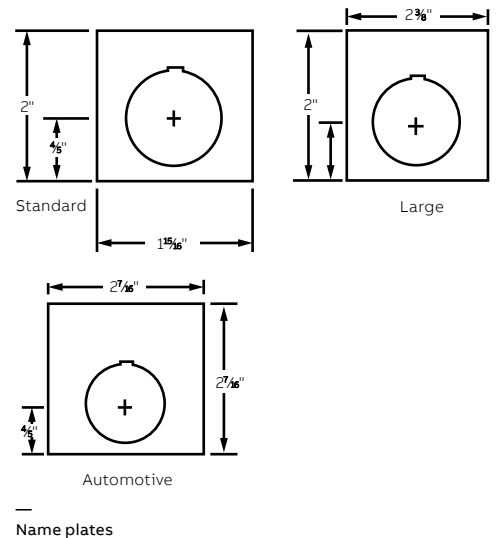
These instructions do not purport to cover all details or variations in equipment nor to provide for every possible contingency to be met in connection with installation, operation or maintenance. Should further information be desired or should particular problems arise that are not covered sufficiently for the purchaser's purpose, the matter should be referred to ABB Inc.

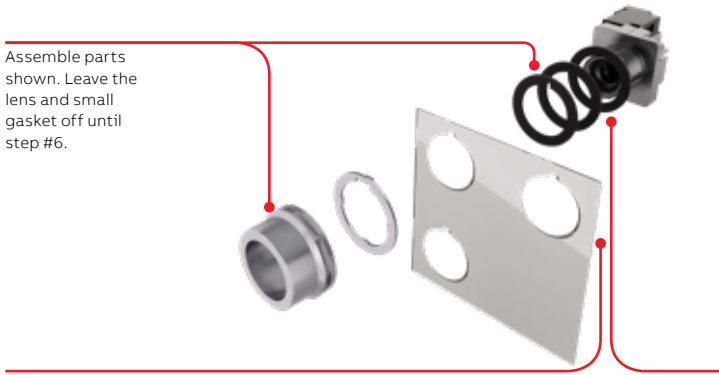
The contents of this instruction manual shall not become part of or modify any prior or existing agreement, commitment or relationship. The sales contract contains the entire obligation of ABB. The warranty contained in the contract between the parties is the sole warranty of ABB. Any statements contained herein do not create new warranties or modify the existing warranty.



Step 3

Mounting hole pattern
 Typical spacing shown. Automotive name plate requires 2.5" spacing. Some accessories also require additional spacing.

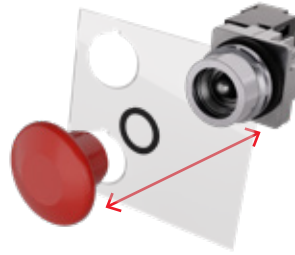




Assemble parts shown. Leave the lens and small gasket off until step #6.

Panel thickness range (inches)	Gaskets required
16 ga – 14 ga (0.060 – 0.075)	3
13 ga – 10 ga (0.090 – 0.135)	2
9 ga – 7 ga (0.150 – 0.188)	1

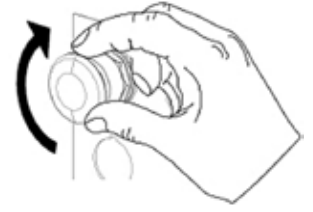
Step 4



Step 6a

Plastic lens

1. Place small gasket inside nut.
2. Insert mushroom head/pushbutton into switch body.
3. Tighten securely by hand.

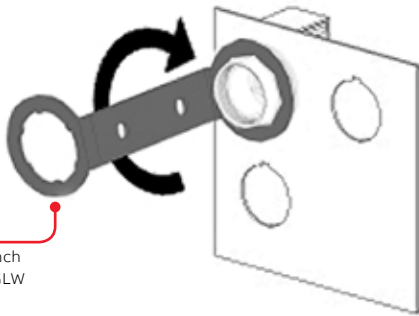


Step 6b

Replacement bulb chart

Volts	Incandescent		LED lamp – single bulb			
	bulb	Red	Green	Yellow	White	Blue
6	#755*	A3XBL6R	A3XBL6G	A3XBL6Y	A3XBL6W	A3XBL6L
24	#757	A3XBL2R	A3XBL2G	A3XBL2Y	A3XBL2Y	A3XBL2L
120	N/A	A3XBL4R	A3XBL4G	A3XBL4Y	A3XBL4Y	A3XBL4L

*Also flashing lamp #267



Locknut wrench
Cat. no. A3XGLW

Step 5

Tighten locking nut to 40 ± 2 in-lb [4.5 Nm] recommended torque.

Contact operation:

Torque contact block retaining screws to 8 – 10 in-lb [0.9 – 1.1 Nm]
Torque light module retaining screws to 4 – 5 in-lb [0.5 – 0.6 Nm]

Maintained push-pull

Normally open contacts — use A3XC10 contact block
Normally closed contacts — use A3XC01 contact block

Momentary push-pull (factory assembled)

Normally open contacts — use A3XC01 contact block (becomes normally open when assembled)
Normally closed contacts — use special A3XC1EL contact block which must be mounted last

USA
ABB Inc.
305 Gregson Drive
Cary, NC 27511

We reserve the right to make technical changes or modify the contents of this document without prior notice. With regard to purchase orders, the agreed particulars shall prevail. ABB Inc. does not accept any responsibility whatsoever for potential errors or possible lack of information in this document.

We reserve all rights in this document and in the subject matter and illustrations contained therein. Any reproduction or utilization of its contents – in whole or in parts – is forbidden without prior written consent of ABB Inc. Copyright© 2021 ABB. All rights reserved.